

Hakko 100L and 120L Trouble shooting

A. If you plug power cable but Air Pump do not turn-on:

1. Please open the Pump housing (Please see operation manual page 5 Process 1~5) and check the parts 8 (Security Stopper).

If the Security Stopper the Triangle symbol like (picture 1) is wrong. That is because the shipment or people who movement the air pump in wrong way. Please use the screw driver or coin turn the Triangle symbol like (picture 2).

2. Put the Air pump cover back then plug in the power cable turn on again.



Picture 1

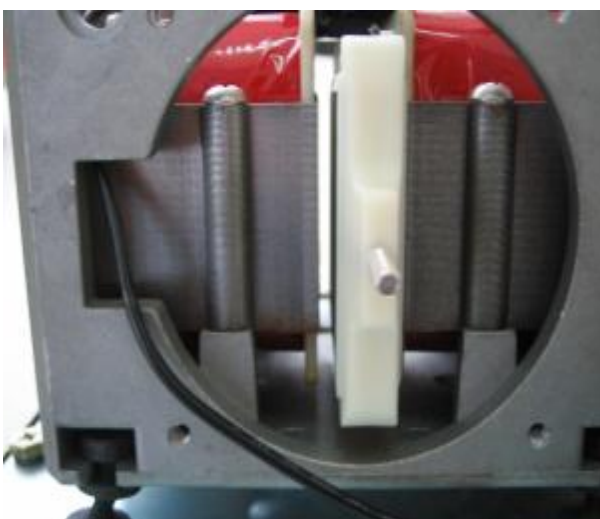


Picture 2

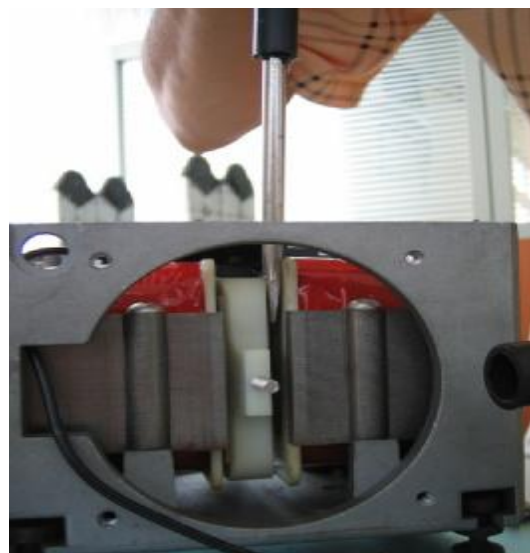
B. If your pump running after several days or several weeks then stop:

Please open the air pump housing (Please see operation manual page 5 Process 1~5) and check the parts 13 (Actuating Arm)

If you see the Actuating Arm position already shift (please see the picture 3) not in the middle of Electromagnet (Please see operation manual page 5 Part 7) then please use screwdriver to move the Actuating Arm back to the normal position(Please see the picture 4).



Picture 3



Picture 4

C. If your air pump flow volume not enough:

1. Please open the air pump housing (Please see operation manual page 5 Process 1~5) and check the parts 15 (Vibration Mount).If the Vibration Mount already jump out the position (Please see picture 5) Then you need to move 4 pcs(all) of the Vibration Mount out of the Coil Frame(Part 16) (Please see picture 6) and unscrew all the screw (part 14) on the Center Plate(Part 21) and Gasket(Part 22)(Please see the picture 7)



Picture 5



Picture 6

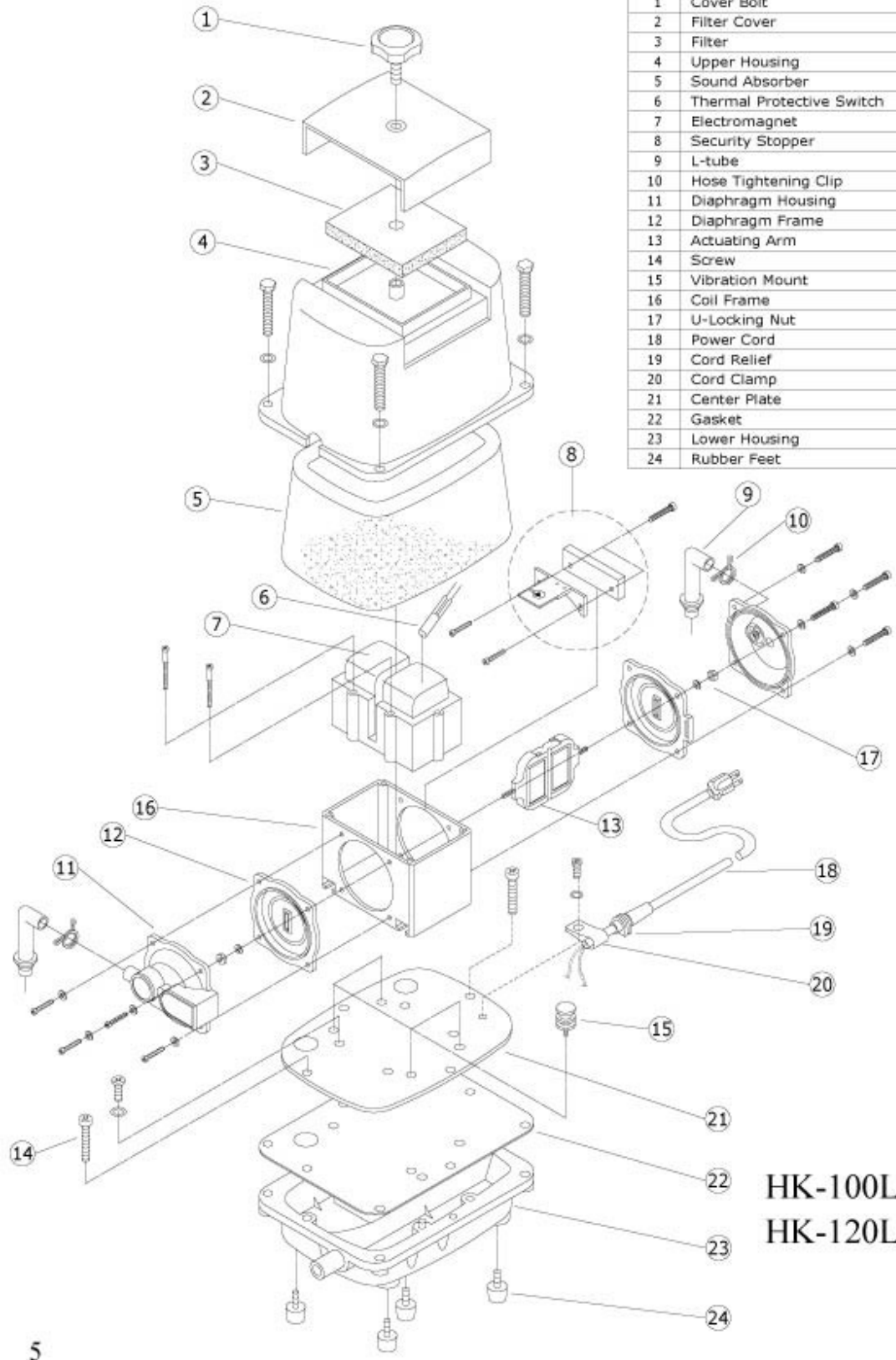


Picture 7

2. From the other side to pull the Vibration Mount back to the normal position.
3. Put all the parts (Coil Frame(Part 16) (Please see picture 6) and all the screw (part 14) on the Center Plate(Part 21) and Gasket(Part 22)(Please see the picture 7)back to position.
4. Put the Air pump cover back then plug in the power cable turn on again.

To be continuing.....

IT	De	Qt
1	Cover Bolt	1
2	Filter Cover	1
3	Filter	1
4	Upper Housing	1
5	Sound Absorber	1
6	Thermal Protective Switch	1
7	Electromagnet	2
8	Security Stopper	1
9	L-tube	2
10	Hose Tightening Clip	2
11	Diaphragm Housing	2
12	Diaphragm Frame	2
13	Actuating Arm	1
14	Screw	6
15	Vibration Mount	4
16	Coil Frame	1
17	U-Locking Nut	2
18	Power Cord	1
19	Cord Relief	1
20	Cord Clamp	1
21	Center Plate	1
22	Gasket	1
23	Lower Housing	1
24	Rubber Feet	4



HK-100L
HK-120L